

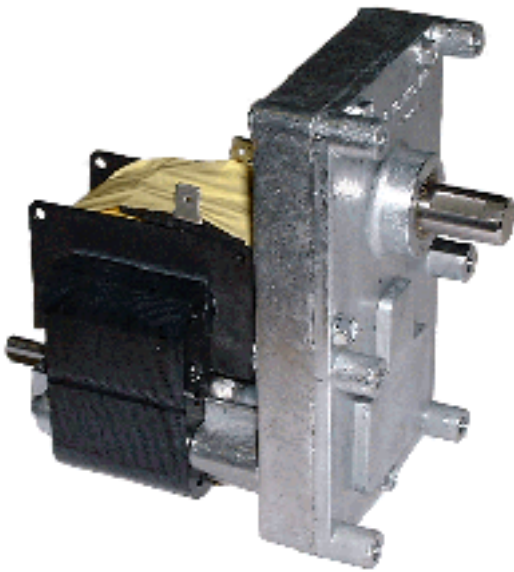
# FB/FBD T3 Series Motor Gear Units

Available in AC and DC versions

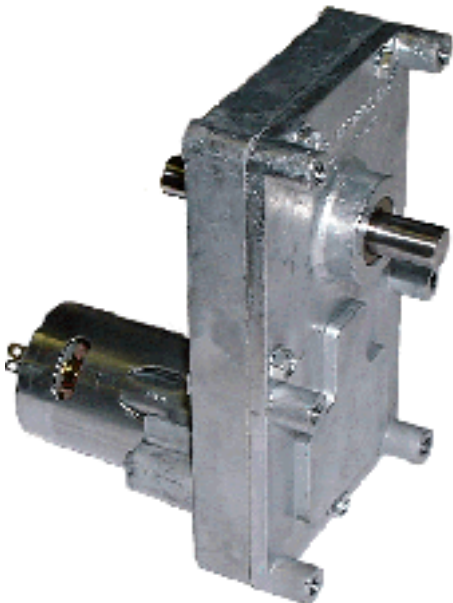
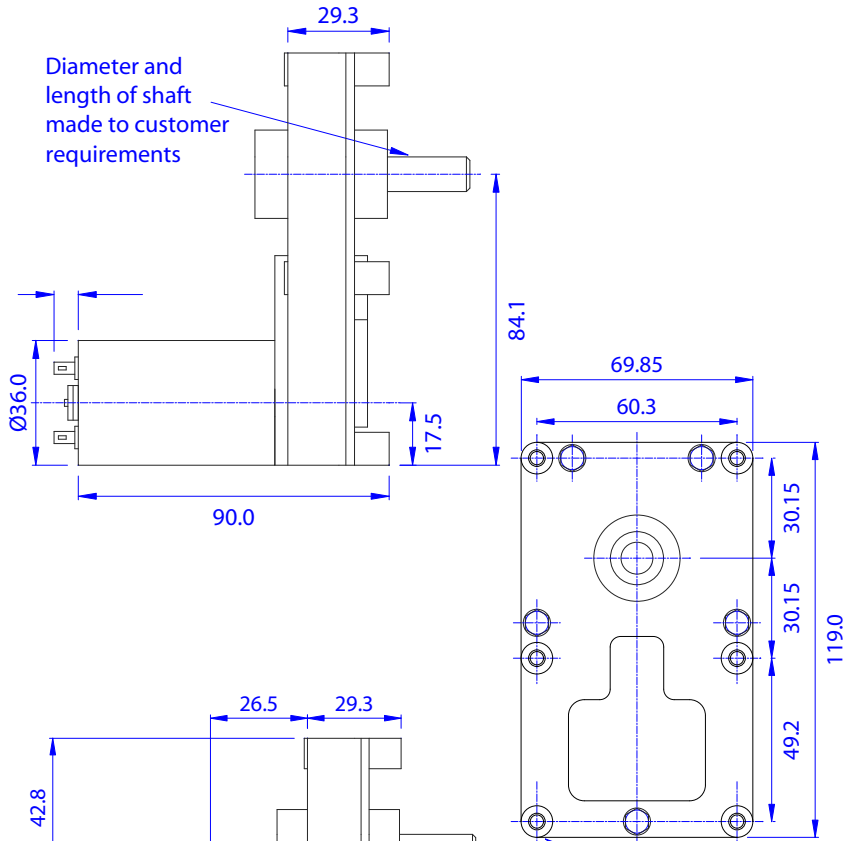
Output Torque: Up to 130Nm AC or 33Nm DC, depending on speed and motor size

Speed Range: 1 - 50rpm

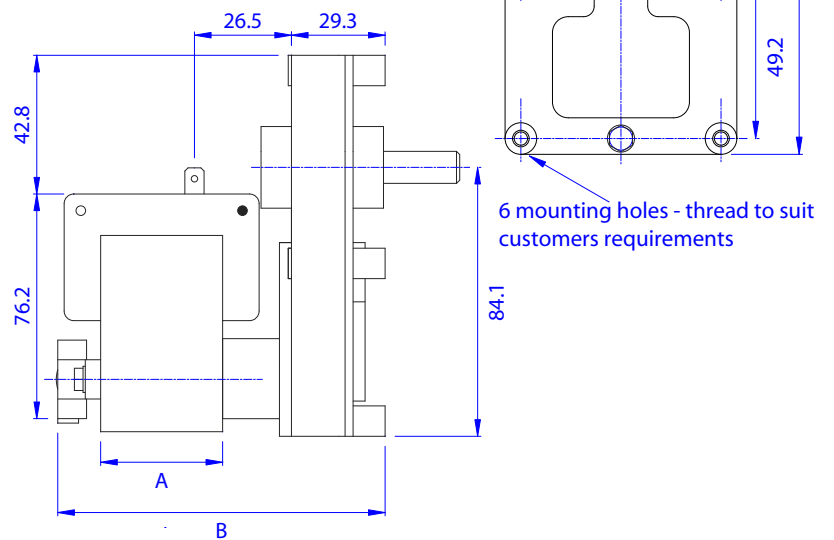
The heavyweight of our range, the FBT3 is a low speed, high torque unit designed with pellet burners and fresh brew vending systems in mind, although it is equally suited for many other applications. High quality engineering ensures quiet running and a long life.



FB T3 Series



FBD T3 Series



Cat No.	Dim A	Dim B
FBS/FBL11 T3	13	65
FBS/FBL12 T3	19	71
FBS/FBL13 T3	25	77
FBS/FBL14 T3	32	84
FBS/FBL15 T3	38	90